

# **INTERMERCATO<sup>®</sup>**

HIGH PERFORMANCE LIFT & LOAD ATTACHMENTS



**GRAPPLE SAWS**

# Reliability and efficiency

Take your *forestry* and *tree care* operations to the *next level*.



Maximum strength - Ideal weight. The brilliant combination of materials in our **GRX** grab series reduces weight while maintaining strength.

Claws with teeth or knives ensure a firm grip and no dangerous slipping of limbs.



## **FLEXIBILITY**

Possibility to choose between log grab, 4-finger, 5-finger grab and universal grab.

Our grapple saws with a flexible universal hole pattern are built for tilt rotators with angled excavator attachments and for Intermercato WDR worm drive rotators.



## **SIMPLE AND RELIABLE**

Fast and easy bar and chain replacement.

All that's needed to operate the saw cassette are feed and return lines.



# INTERMERCATO®

HIGH PERFORMANCE LIFT & LOAD ATTACHMENTS

High performance worm drive rotators provide safety and accuracy while lowering limbs to the ground.

We make sure to match your new grapple saw to your machine with the right attachment.

**Hardox®** protection plate - No more worries hoses will get stuck and rip while working.

## EFFICIENCY



Return feed system for the saw bar offers essentially self-adjusting sawing.

Proportional chain lubrication delivers improved cutting performance and reduces wear on drive sprockets, nose sprockets and chains.

## SAFETY



Automatic (**Hultdins Supersaw**) rapid chain tensioning reduces vibration, enabling safe control by the operator.

Models equipped with **Hultdins Supersaw** have an extra protection plate made of **Hardox®**, protecting the hoses between the saw cassette and the grab.



Machine size **5-9 ton**

**GRX Grab** made of **Strenx**<sup>®</sup> **700** high strength structural steel

Claws made of **Hardox**<sup>®</sup> **450** wear-resistant steel

**INTERLAM IT450**  
Saw cassette - made in Italy

**PARKER** motor

Automatic chain lubrication

Mechanical chain tensioning

Independent chain oil tank

Direct drive

**GRAB OPTIONS**



**GRX 20 / Log Grab**



**GRX 20-4 / 4-Finger Grab**



**GRX 20-5 / 5-Finger Grab**

**ATTACHMENT OPTIONS**



**STANDARD**  
S 40  
S 45  
S 50



**LEHNHOFF**  
SW03 45  
SW08 45  
Other models on request

**OTHER  
ATTACHMENTS  
ON REQUEST**



## ROTATOR OPTIONS



**WORM DRIVE ROTATOR**  
WDR 9 GS

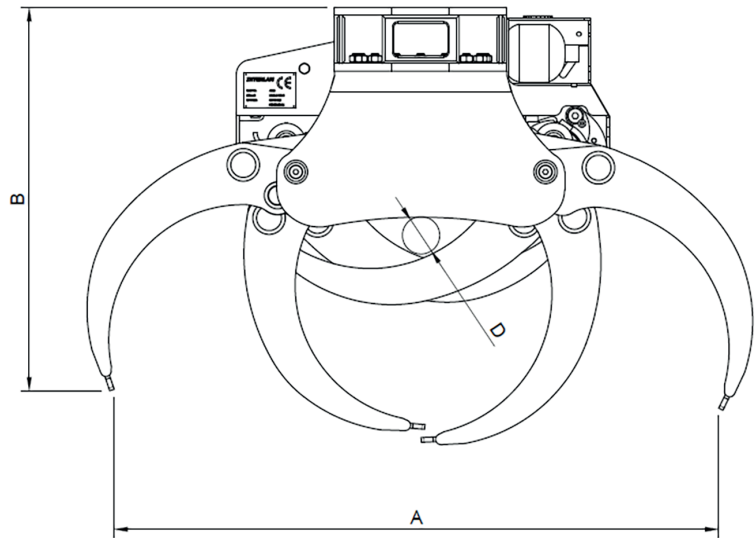
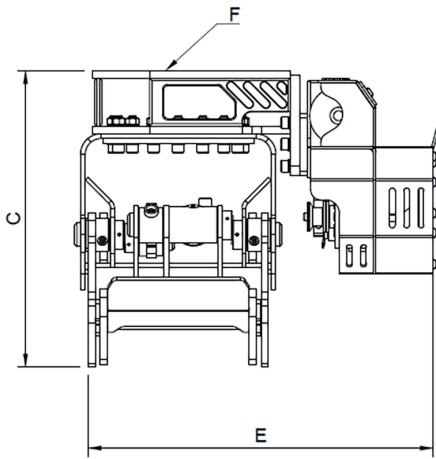
## TEETH OPTIONS



**NO TEETH**

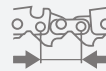
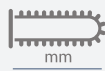


**WITH TEETH**



	A	B	C	D	E	F
<b>IT450 GRX 20</b>	1262	837	617	78	722	270 / 16 Ø17 Center Ø145
<b>IT450 GRX 20-4</b>	1234	820	617	78	722	270 / 16 Ø17 Center Ø145
<b>IT450 GRX 20-5</b>	1234	820	617	78	722	270 / 16 Ø17 Center Ø145

## MODEL SPECIFICATIONS



MODEL	Kg	mm	Bar	ton	mm			mm	cm <sup>3</sup>
<b>IT450 GRX 20</b>	235	1262	250	5-9	540	450	404"	2	6 cm <sup>3</sup>
<b>IT450 GRX 20 / Teeth</b>	240	1262	250	5-9	540	450	404"	2	6 cm <sup>3</sup>
<b>IT450 GRX 20-4</b>	233	1234	250	5-9	540	450	404"	2	6 cm <sup>3</sup>
<b>IT450 GRX 20-4 / Teeth</b>	238	1234	250	5-9	540	450	404"	2	6 cm <sup>3</sup>
<b>IT450 GRX 20-5</b>	240	1234	250	5-9	540	450	404"	2	6 cm <sup>3</sup>
<b>IT450 GRX 20-5 / Teeth</b>	245	1234	250	5-9	540	450	404"	2	6 cm <sup>3</sup>



Machine size **8-12 ton**

**GRX Grab** made of **Strenx**<sup>®</sup> 700 high strength structural steel

Claws made of **Hardox**<sup>®</sup> 450 wear-resistant steel

Protection plate made of **Hardox**<sup>®</sup> 450

**HULTDINS SUPERSAW 550**  
Saw cassette - made in Sweden

**PARKER** motor

Automatic chain lubrication

Automatic chain tensioning

Integrated chain oil tank

Direct drive

**GRAB OPTIONS**



**GRX 25 / Log Grab**



**GRX 25-4 / 4-Finger Grab**



**GRX 25-5 / 5-Finger Grab**

**ATTACHMENT OPTIONS**



**STANDARD**  
S 45  
S 50  
S 60



**LEHNHOFF**  
SW08 45  
Other models on request



**OILQUICK**  
OQ60-5  
Other models on request

**OTHER  
ATTACHMENTS  
ON REQUEST**



## ROTATOR OPTIONS



**WORM DRIVE ROTATOR**  
WDR 12 GS

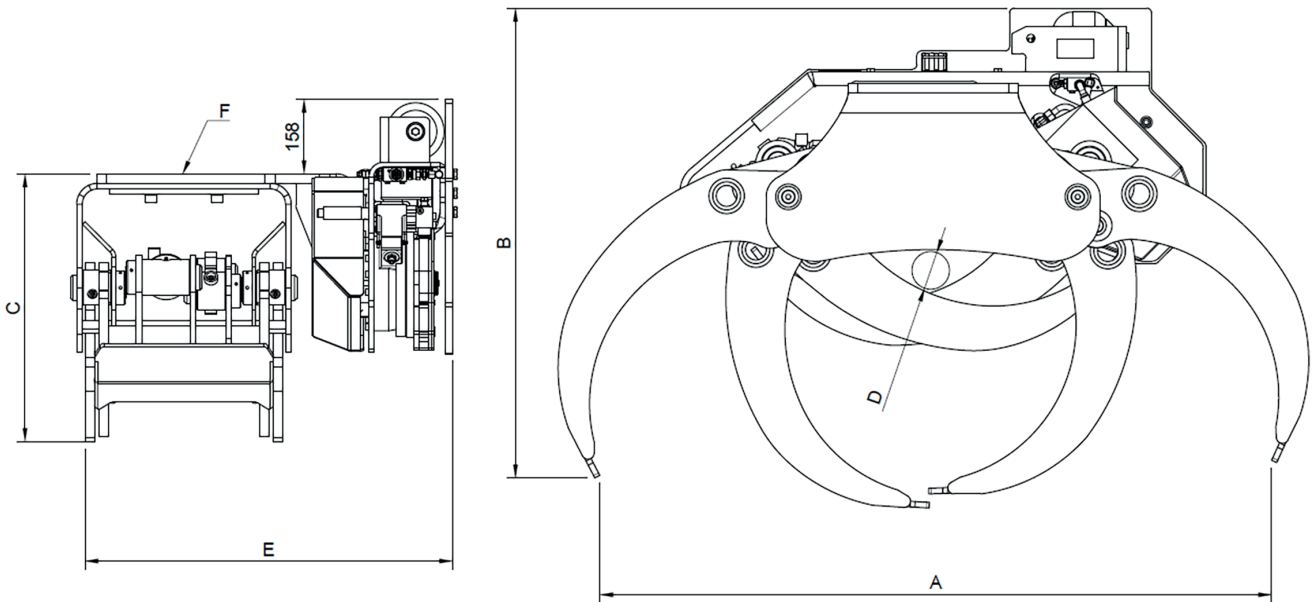
## TEETH OPTIONS



**NO TEETH**



**WITH TEETH**



	A	B	C	D	E	F
<b>SS550 GRX 25</b>	1424	990	563	85	779	270 / 16 Ø17 Center Ø145
<b>SS550 GRX 25-4</b>	1385	968	553	85	779	270 / 16 Ø17 Center Ø145
<b>SS550 GRX 25-5</b>	1385	968	553	85	779	270 / 16 Ø17 Center Ø145

## MODEL SPECIFICATIONS



MODEL	Kg	mm	Bar	ton	mm			mm	
<b>SS550 GRX 25</b>	340	1424	250	8-12	900	650	404"	2	10 cm <sup>3</sup>
<b>SS550 GRX 25 / Teeth</b>	345	1424	250	8-12	900	650	404"	2	10 cm <sup>3</sup>
<b>SS550 GRX 25-4</b>	338	1385	250	8-12	900	650	404"	2	10 cm <sup>3</sup>
<b>SS550 GRX 25-4 / Teeth</b>	343	1385	250	8-12	900	650	404"	2	10 cm <sup>3</sup>
<b>SS550 GRX 25-5</b>	350	1385	250	8-12	900	650	404"	2	10 cm <sup>3</sup>
<b>SS550 GRX 25-5 / Teeth</b>	355	1385	250	8-12	900	650	404"	2	10 cm <sup>3</sup>



Machine size **14-18 ton**

**GX Grab** made of **Hardox® 450** wear-resistant steel

Protection plate made of **Hardox® 450**

**HULTDINS SUPERSAW 555**  
Saw cassette - made in Sweden

**PARKER** motor

Automatic chain lubrication

Automatic chain tensioning

Intergrated chain oil tank

Direct drive

### GRAB OPTIONS



**GX 28-50/5 / Universal Grab**



**GX 28-50/7 / Universal Grab**



**GX 28-50-1000 / Universal Grab**

### ATTACHMENT OPTIONS



**STANDARD**  
S 45  
S 50  
S 60



**LEHNHOFF**  
SW08 45  
SW10 45  
Other models on request



**OILQUICK**  
OQ60-5  
Other models on request

**OTHER  
ATTACHMENTS  
ON REQUEST**



## ROTATOR OPTIONS



**WORM DRIVE ROTATOR**  
WDR 14-2 GS

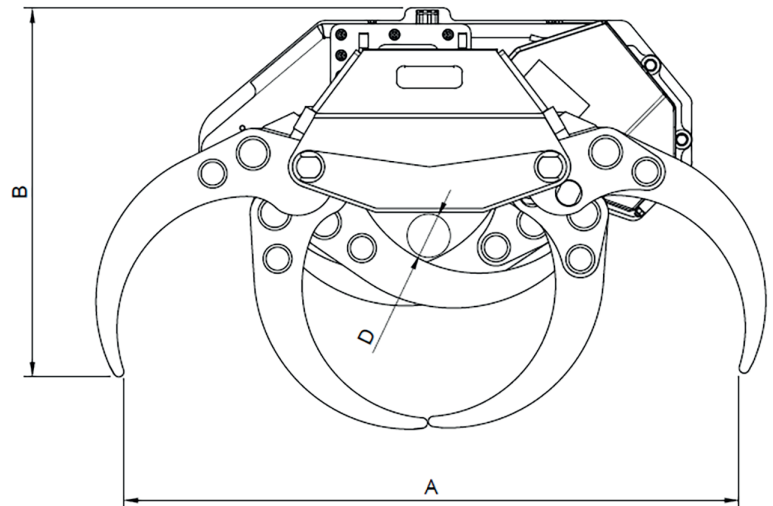
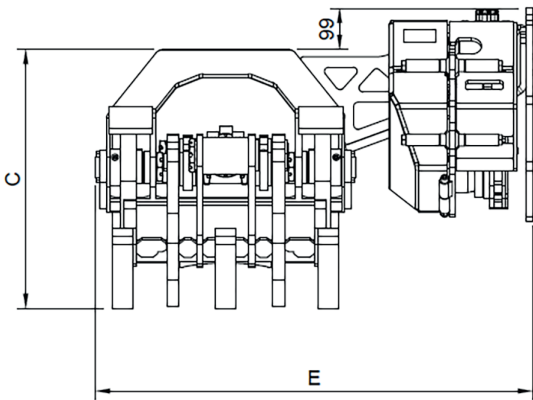
## KNIVES OPTIONS



**NO KNIVES**




**WITH KNIVES**



	A	B	C	D	E
<b>SS555 GX 28-50/5</b>	1485	882	658	130	1062
<b>SS555 GX 28-50/7</b>	1471	882	622	100	1130
<b>SS555 GX 28-50-1000</b>	1471	882	622	100	1250

## MODEL SPECIFICATIONS

	 Kg	 mm	 Bar	 ton	 mm			 mm	
<b>SS555 GX 28-50/5</b>	660	1485	250	14-18	900	650	404"	2	19 cm <sup>3</sup>
<b>SS555 GX 28-50/5 / Knives</b>	665	1485	250	14-18	900	650	404"	2	19 cm <sup>3</sup>
<b>SS555 GX 28-50/7</b>	727	1471	250	14-18	900	650	404"	2	19 cm <sup>3</sup>
<b>SS555 GX 28-50/7 / Knives</b>	732	1471	250	14-18	900	650	404"	2	19 cm <sup>3</sup>
<b>SS555 GX 28-50-1000</b>	745	1471	250	14-18	900	650	404"	2	19 cm <sup>3</sup>
<b>SS555 GX 28-50-1000 / Knives</b>	750	1471	250	14-18	900	650	404"	2	19 cm <sup>3</sup>



[www.intermercato.com](http://www.intermercato.com)





# KEY TO SYMBOLS



Weight



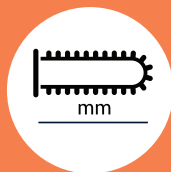
Opening width



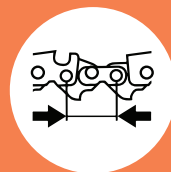
Maximum working pressure



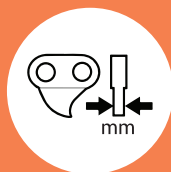
Recommended excavator weight – rigid mounting



Chain bar length



Chain pitch



Chain link



Motor



Maximum cutting diameter

***Intermercato is more than just grapple saws***  
*Explore our full range of products on [www.intermercato.com](http://www.intermercato.com)  
or contact our highly skilled sales team by email or phone*



Intermercato AB  
Bygatan 5  
272 93 Tommarp  
Sweden

info@intermercato.com  
Tel +46 414 20525

**WWW.INTERMERCATO.COM**

Your local dealer:

**INTERMERCATO**®  
HIGH PERFORMANCE LIFT & LOAD ATTACHMENTS