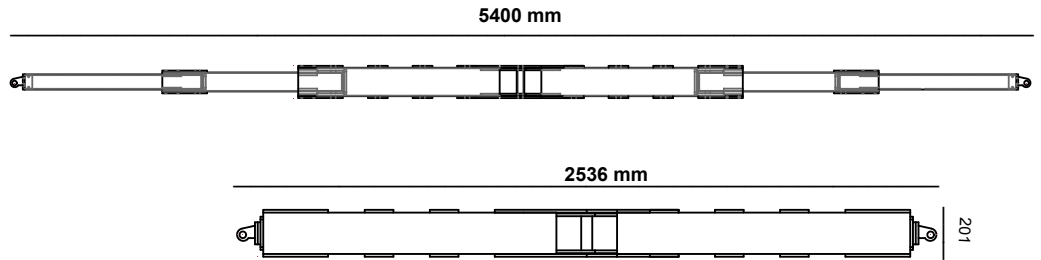
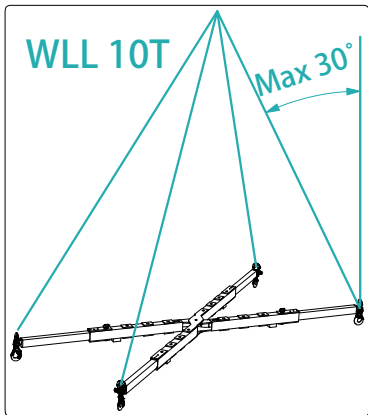


alutex¹⁰⁺



Max Load: 10 ton
Material: Aluminium
Weight: 75 kg

For larger lifting angles the maximum load needs to be limited as follows:

35° = 9.7tn max.

40° = 8.1tn max.

45° = 6.8tn max.

50° = 5.7tn max.

55° = 4.8tn max.

